

RAIDON



InTANK iR2777-S3

Internal RAID Module to replace 3.5" hard disk

For Two 2.5" SATA hard drives or solid state drives (SSD)
Support hot-swap

With the same size and screw holes as 3.5" SATA hard disk, iR2777-S3 can be installed in any space for 3.5" SATA hard disk or Floppy. It support hot-swap, the feature of RAIDON Hardware RAID, and support RAID 1 & 0 mode. The cooling holes provide excellent cooling to enable the best performance of the hard drives. iR2777-S3 can be installed with two 2.5" SATA disk, and the SATA III (6Gbps) host interface is suitable for SSD. With RAID 1 (mirroring) function, it can increase the reliability of the SSD and reduce the risk of data loss. With RAID 0 (striping) function, it can help to combine the capacity of two SSDs as one larger capacity disk.

Features

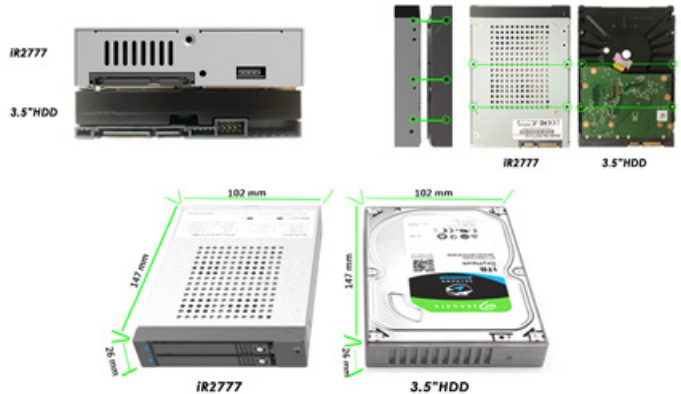
1. One floppy disk or 3.5" hard disk dimension
2. For 2 x 2.5" SATA III HDD/SSD
3. Hardware RAID 0 / RAID1
4. Disk Tray with lock
5. Disk Hot-swappable
6. Monitoring Utility (Windows only)
7. LED indicator for disk status



RAIDON

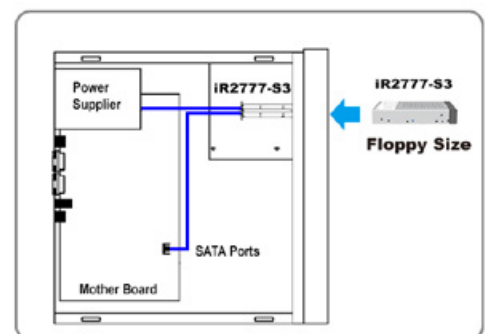
The dimension, and the location of screw holes and SATA connector are exactly the same as a 3.5" hard disk.

The dimension of RAIDON iR2777-S3 is exactly as a 3.5" hard disk, even the location of the screw holes and SATA connector are the same. Just replace the current 3.5" hard disk in the system with iR2777-S3 and this system will be upgraded as a system with Hardware RAID function.



Maintain the system easily

User can also install iR2777-S3 to the floppy slot. With the hot-swap function and tray module design, user can hot-swap the drive easily if the disk failed.



Monitor RAID and Disk Status with Utility

For Windows users, the software RAIDGuide Manager monitoring program is provided, allowing users to get clear information about disk array modules and hard disk S.M.A.R.T. directly through the RAIDGuide Manager monitoring program, and the monitoring program can also take the initiative to send a letter to the user when a hard disk failure occurs through the setting. The monitoring program can also take the initiative to send a letter to the user when a hard disk failure occurs through the configuration, so that the user can be notified and dealt with quickly.



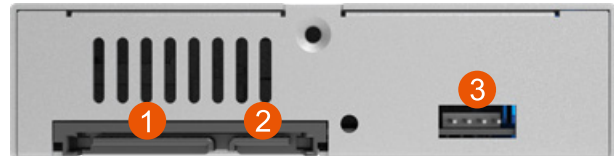
Changeable Disk Tray Module

Hot-swappable is one benefit of SATA interface. With the disk tray module design, user can change the disk quickly and easily. No need to open the chassis and even no need to power off the system first. And RAIDON provides several disk tray modules for user to choose to use, and user can buy these disk trays and install disks on it first as spare parts to replace the disk in the iR2777-S3 directly once it failed.





1. LED Indicator
2. Removable drive tray
3. HDD Tray Ejection
4. Mute Button



1. 15 PIN Power Connector
2. SATA Port
3. RAID Switch

Technical Specification

iR2777-S3	
Interface	1 x SATA III (6Gbps) Ports
Compatible Drive	2 x 2.5" SATA III (6 Gbps) HDD/SSD (High : 9.5mm)
Storage Level	RAID 1 / RAID 0
Certification	CE/FCC
Operating System Support	Windows 7 or above, Linux
Electrical and Operating Requirements	<ul style="list-style-type: none"> • Line voltage: 12V + 5V DC • Operating temperature: 32° to 104° F (0° to 40° C) • Storage temperature: -4° to 116° F (-20° to 47° C) • Relative humidity: 5% to 95% non-condensing
Size	Heigh : 26 mm Width : 102 mm Depth : 147 mm
Product Code	EAN : 4713227441285 UPC : 884826505846
Carton	32 pcs per carton
Package Accessories	<ul style="list-style-type: none"> • iR2777-S3 x 1 (with 2.5" removable drive tray enclosed x 2) • Quick Installation Guide x 1 • Screws & Keys

